

Name: _____

Hour: _____

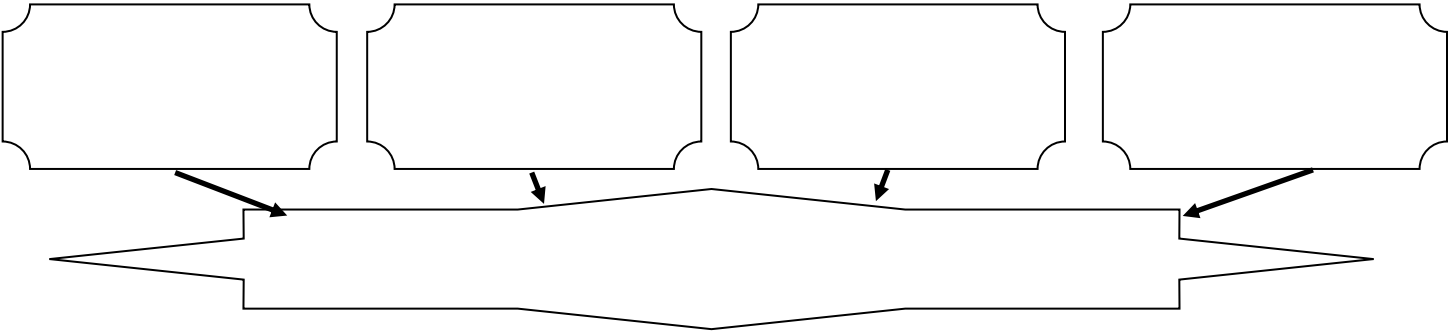
Causes
 (ongoing, often interact
 w/ one another)

Trigger(s)
 (specific occurrence which
 initiates the EVENT)

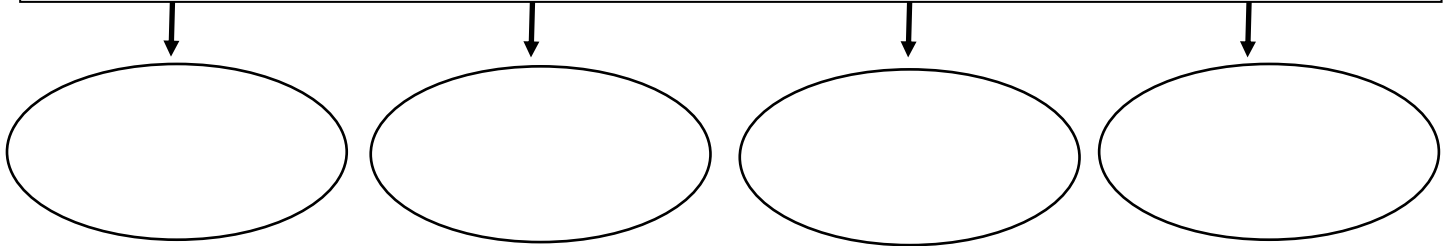
The Event
 (Historically significant,
 can last days or decades,
 has long-term impact.)

Results
 (ongoing, often interact
 w/ one another)

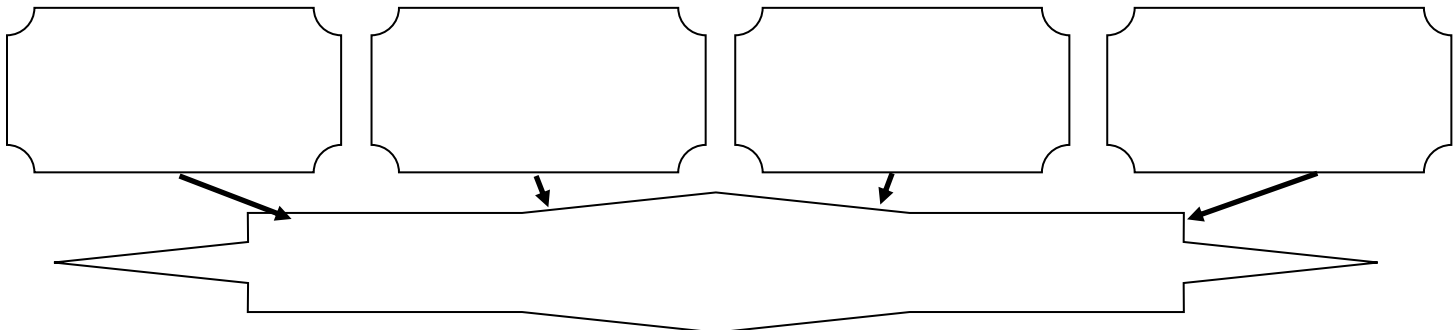
Event #1: _____



The Event {Name & Describe}



Event #2: _____



The Event {Name & Describe}

